

Microstar BM (≤ 65 HRC)

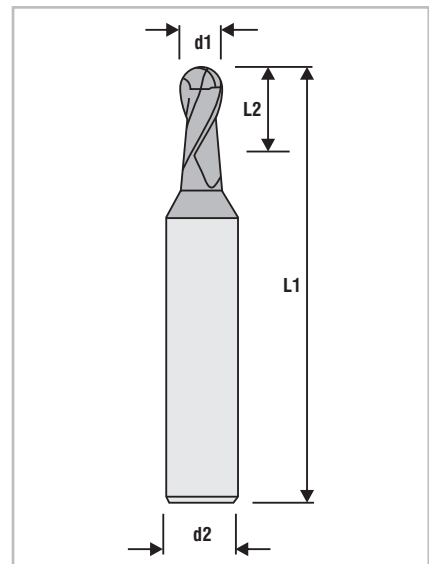
Ball Nose End Mills - Regular Series



Y
65
Series

Article No.	Dimension (mm)					
	2 Flute	$\emptyset d1$ h10	$\emptyset d2$ h6	L2	L1	SI-coated
M-SBM 2003		R0.15	4	0.6	50	■
M-SBM 2004		R0.20	4	0.8	50	■
M-SBM 2005		R0.25	4	1	50	■
M-SBM 2006		R0.30	4	1.2	50	■
M-SBM 2007		R0.35	4	1.4	50	■
M-SBM 2008		R0.40	4	1.6	50	■
M-SBM 2009		R0.45	4	1.8	50	■

Steel	$R_m < 850$	■
	$R_m 850-1300$	■
	$R_m 1300-1500$	■
M	Stainless Steel	■
K	Cast Iron	□
N	Copper	□
S	Titanium	■
Hardened Steel	HRC 48-55	□
	HRC 56-60	■
	HRC < 65	■



Tolerance	
Diameter	Range
1 ≤ d < 8	0 / -0.02

■ Available ex stock / subject to prior sale
UMG - Ultra Micron Grade

BALL
End Mills