





Microstar BM (≤ 60 HRC)
Ball Nose End Mills - Regular Series

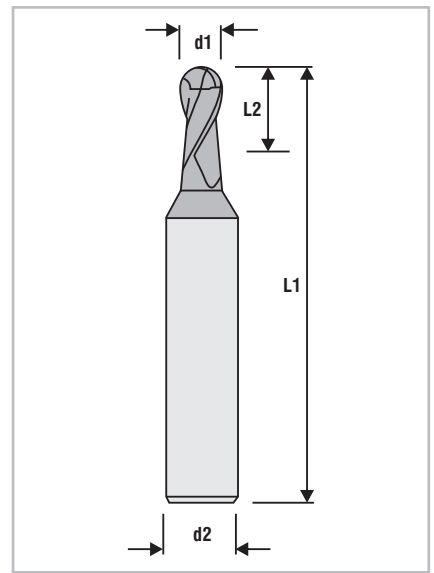


X
60
Series

Article No.	Dimension (mm)					
	2 Flute	\varnothing d1 h10	\varnothing d2 h6	L2	L1	AT-coated
M-SBM 2003		R0.15	4	0.6	50	■
M-SBM 2004		R0.20	4	0.8	50	■
M-SBM 2005		R0.25	4	1	50	■
M-SBM 2006		R0.30	4	1.2	50	■
M-SBM 2007		R0.35	4	1.4	50	■
M-SBM 2008		R0.40	4	1.6	50	■
M-SBM 2009		R0.45	4	1.8	50	■

Steel	$R_m < 850$	■
	$R_m 850-1300$	■
	$R_m 1300-1500$	■
M	Stainless Steel	□
K	Cast Iron	■
N	Copper	□
S	Titanium	■
Hardened Steel	HRC 48-55	■
	HRC 56-60	■
	HRC > 65	□

 **AT COATING**
   $\lambda 30^\circ$  **SMG 0.4 μ m**



Tolerance	
Diameter	Range
$1 \leq d < 8$	0 / -0.02

■ Available ex stock / subject to prior sale
SMG - Super-Fine Micron Grade

BALL
End Mills