

TAPER END MILL & 45° CHAMFER

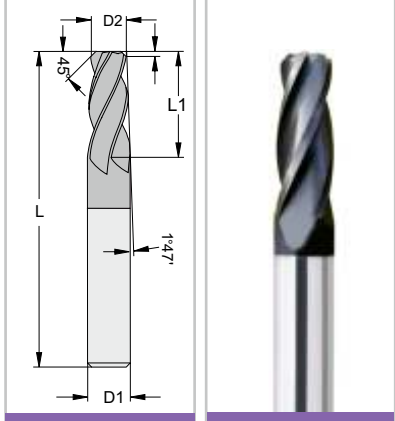
(BSPT, NPT, NPTF)
INTERNAL / EXTERNAL

SMG 0.6mm

RH + LH

15°

3-4-5 teeth



ORDERING CODE	L	L1	D1	D2	NO. OF FLUTES
PM0605L15	58	15	6	5	4
PM1084L25	73	25	10	8.4	4
PM1299L33	84	33	12	9.9	4

SAME TOOL CAN BE USED FOR THE FOLLOWING OPERATIONS :

1. CONIC MILLING PREPARATION FOR CONIC THREADS (EXTERNAL & INTERNAL).
2. CHAMFERING

