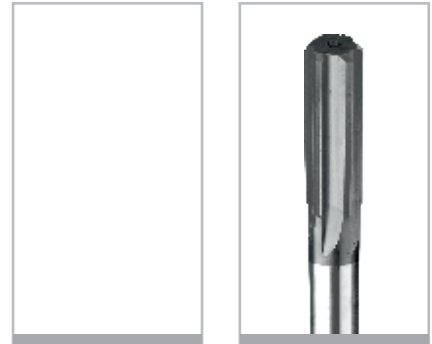


# Ream Star

Solid Carbide Chucking Reamer



Article No.	Dimension (mm)					
	Ø d1 H7	Ø d2 h6	L2	L1	Number of Flutes	AT-coated
R-CAM 4030	3.00	4.0	12	45	4	■
R-CAM 4040	4.00	4.0	16	50	4	■
R-CAM 4050	5.00	5.0	19	55	4	■
R-CAM 4060	6.00	6.0	19	60	4	■
R-CAM 4063.5	6.35	8.0	19	60	4	■
R-CAM 4070	7.00	8.0	19	65	4	■
R-CAM 4080	8.00	8.0	19	65	4	■
R-CAM 4090	9.00	10.0	22	70	4	■
R-CAM 4095.2	9.52	10.0	22	70	4	■
R-CAM 6100	10.00	10.0	22	70	6	■
R-CAM 6110	11.00	12.0	22	80	6	■
R-CAM 6120	12.00	12.0	22	80	6	■
R-CAM 6127	12.70	14.0	25	85	6	■
R-CAM 6130	13.00	14.0	25	85	6	■
R-CAM 6140	14.00	14.0	25	90	6	■
R-CAM 6150	15.00	16.0	25	100	6	■
R-CAM 6158.7	15.87	16.0	25	100	6	■
R-CAM 6160	16.00	16.0	25	100	6	■
R-CAM 6170	17.00	18.0	30	100	6	■
R-CAM 6180	18.00	18.0	30	100	6	■
R-CAM 6190	19.00	20.0	30	110	6	■
R-CAM 6195	19.05	20.0	30	110	6	■
R-CAM 6200	20.00	20.0	30	110	6	■

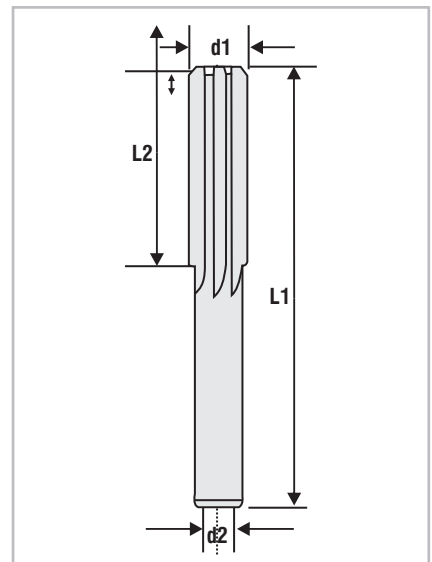
Steel	R <sub>m</sub> < 850	■
	R <sub>m</sub> 850-1300	■
	R <sub>m</sub> 1300-1500	■
M	Stainless Steel	□
K	Cast Iron	■
N	Copper	■
S	Titanium	□
Hardened Steel	HRC 48-55	□
	HRC 56-60	
	HRC > 60	

R Series

REAMER

UC MIRROR POLISHED  

 λ 0°  
 SMG 0.6µm

Tolerance - H7

Diameter	Range
3.00 - 6.00	0.00 / +0.012
6.00 - 10.00	0.00 / +0.015
10.00 - 18.00	0.00 / +0.018
18.00 - 30.00	0.00 / +0.021

■ Available ex stock / subject to prior sale