

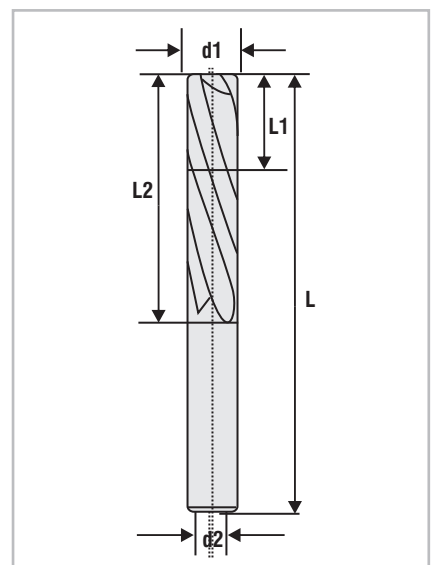
## Ream Star (Short)

Solid Carbide Left Hand Helix Reamer



Article No.	Dimension (mm)						
	Ø d1 H7	Ø d2 h6	L1	L2	L	Number of Flutes	AT-coated
RS-LHX 40298	2.98	4.0	15.0	20	50	4	■
RS-LHX 40299	2.99	4.0	15.0	20	50	4	■
RS-LHX 40300	3.00	4.0	15.0	20	50	4	■
RS-LHX 40301	3.01	4.0	15.0	20	50	4	■
RS-LHX 40302	3.02	4.0	15.0	20	50	4	■
RS-LHX 60398	3.98	4.0	15.0	22	50	6	■
RS-LHX 60399	3.99	4.0	15.0	22	50	6	■
RS-LHX 60400	4.00	4.0	15.0	22	50	6	■
RS-LHX 60401	4.01	4.0	15.0	22	50	6	■
RS-LHX 60402	4.02	4.0	15.0	22	50	6	■
RS-LHX 60498	4.98	6.0	20.0	30	60	6	■
RS-LHX 60499	4.99	6.0	20.0	30	60	6	■
RS-LHX 60500	5.00	6.0	20.0	30	60	6	■
RS-LHX 60501	5.01	6.0	20.0	30	60	6	■
RS-LHX 60502	5.02	6.0	20.0	30	60	6	■
RS-LHX 60598	5.98	6.0	20.0	30	60	6	■
RS-LHX 60599	5.99	6.0	20.0	30	60	6	■
RS-LHX 60600	6.00	6.0	20.0	30	60	6	■
RS-LHX 60601	6.01	6.0	20.0	30	60	6	■
RS-LHX 60602	6.02	6.0	20.0	30	60	6	■
RS-LHX 60698	6.98	8.0	20.0	30	60	6	■
RS-LHX 60699	6.99	8.0	20.0	30	60	6	■
RS-LHX 60700	7.00	8.0	20.0	30	60	6	■
RS-LHX 60701	7.01	8.0	20.0	30	60	6	■
RS-LHX 60702	7.02	8.0	20.0	30	60	6	■
RS-LHX 60798	7.98	8.0	20.0	30	60	6	■
RS-LHX 60799	7.99	8.0	20.0	30	60	6	■
RS-LHX 60800	8.00	8.0	20.0	30	60	6	■
RS-LHX 60801	8.01	8.0	20.0	30	60	6	■
RS-LHX 60802	8.02	8.0	20.0	30	60	6	■
RS-LHX 60898	8.98	10.0	20.0	30	60	6	■
RS-LHX 60899	8.99	10.0	20.0	30	60	6	■
RS-LHX 60900	9.00	10.0	20.0	30	60	6	■
RS-LHX 60901	9.01	10.0	20.0	30	60	6	■
RS-LHX 60902	9.02	10.0	20.0	30	60	6	■
RS-LHX 60998	9.98	10.0	20.0	30	60	6	■
RS-LHX 60999	9.99	10.0	20.0	30	60	6	■
RS-LHX 61000	10.00	10.0	20.0	30	60	6	■
RS-LHX 61001	10.01	10.0	20.0	30	60	6	■
RS-LHX 61002	10.02	10.0	20.0	30	60	6	■
RS-LHX 61198	11.98	12.0	20.0	30	60	6	■
RS-LHX 61199	11.99	12.0	20.0	30	60	6	■
RS-LHX 61200	12.00	12.0	20.0	30	60	6	■
RS-LHX 61201	12.01	12.0	20.0	30	60	6	■

Steel	R <sub>m</sub> < 850	■
	R <sub>m</sub> 850-1300	■
	R <sub>m</sub> 1300-1500	■
M	Stainless Steel	□
K	Cast Iron	■
N	Copper	■
S	Titanium	□
Hardened Steel	HRC 48-55	□
	HRC 56-60	
	HRC > 60	



Tolerance - H7	
Diameter	Range
3.00 - 6.00	0.00 / +0.012
6.00 - 10.00	0.00 / +0.015
10.00 - 18.00	0.00 / +0.018
18.00 - 30.00	0.00 / +0.021

■ Available ex stock / subject to prior sale

R  
Series

REAMER