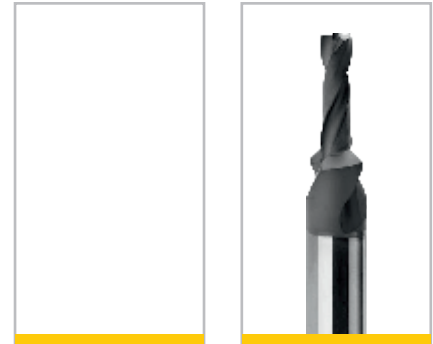


### Step Drills

Solid Carbide Step drills

Article No.	Dimension (mm)	AT-coated						
2 Flute	Thread Size	$\varnothing$ d1 m7	$\varnothing$ d2 h8	L3	L2	L1	$\varnothing$ d3 h6	
RT-M4-SDT	M4	3.3	4.5	11.4	24	62	6	■
RT-M5-SDT	M5	4.2	5.5	13.6	28	66	6	■
RT-M6-SDT	M6	5.0	6.6	16.5	34	79	8	■
RT-M8-SDT	M8	6.8	9.0	21	47	89	10	■
RT-M10-SDT	M10	8.5	11.0	25.5	55	102	12	■
RT-M12-SDT	M12	10.2	14.0	30	60	107	14	■
RT-M16-SDT	M16	14.0	18.0	38.5	73	123	18	■



<b>Steel</b>	$R_m < 850$	■
	$R_m 850-1300$	■
	$R_m 1300-1500$	■
<b>M</b>	Stainless Steel	□
<b>K</b>	Cast Iron	■
<b>N</b>	Copper	■
<b>S</b>	Titanium	□
<b>Hardened Steel</b>	HRC 48-55	■
	HRC 56-60	□
	HRC > 60	□

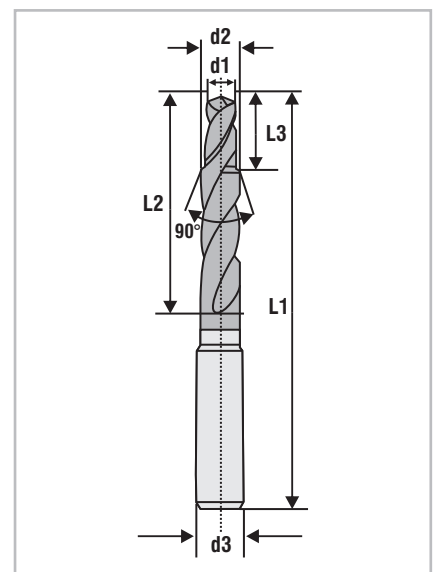
**D**  
Series


DIN 6537

AT COATING

λ 30°

SMG 0.4μm



As per DIN 6537

■ Available ex stock / subject to prior sale  
 Quotes for internal coolant step drills available on request

DRILL