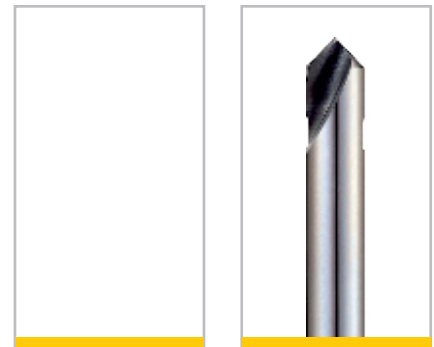


NC Star Drills 90

Solid Carbide NC Spotting drills 90°

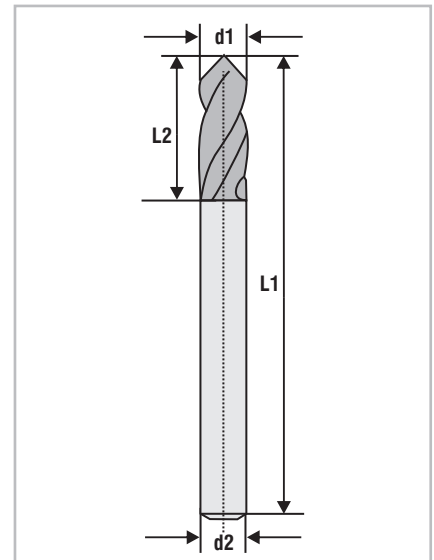
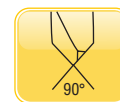
Article No.	Dimension (mm)					
	2 Flute	Ø d1	Ø d2 h6	L2	L1	AT-coated
NC90-2030		3	3	12	46	■
NC90-2040		4	4	12	55	■
NC90-2050		5	5	14	62	■
NC90-2060		6	6	16	66	■
NC90-2080		8	8	21	79	■
NC90-2100		10	10	25	89	■
NC90-2120		12	12	30	102	■
NC90-2160		16	16	37.5	115	■
NC90-2200		20	20	45	131	■



Steel	R _m < 850	■
	R _m 850-1300	■
	R _m 1300-1500	■
M	Stainless Steel	□
K	Cast Iron	■
N	Copper	■
S	Titanium	□
Hardened Steel	HRC 48-55	■
	HRC 56-60	□
	HRC > 60	□

D

Series



■ Available ex stock / subject to prior sale

As per ISO 10898 Std

DRILL