

## Double End Center Drills

Solid Carbide Double Center drills 60°

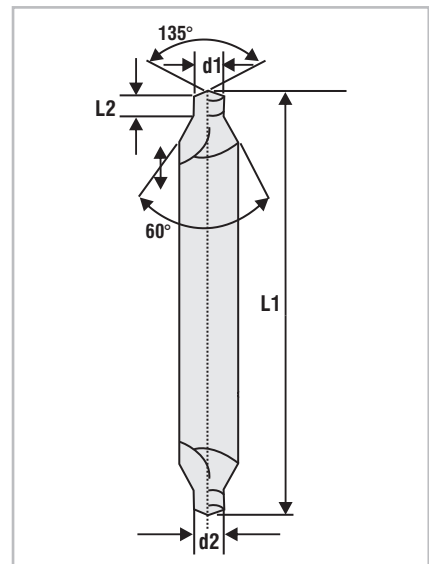


Article No.	Dimension (mm)					
	2 Flute	Ø d1 DIN	Ø d2 h6	L2	L1	AT-coated
H-DCD 2200		2.0	5	2.5	40	■
H-DCD 2250		2.5	6.3	3.1	45	■
H-DCD 2315		3.15	8	3.9	50	■
H-DCD 2400		4.0	10	5.0	55	■
H-DCD 2500		5.0	12	6.3	63	■

Steel	R <sub>m</sub> < 850	■
	R <sub>m</sub> 850-1300	■
	R <sub>m</sub> 1300-1500	□
M	Stainless Steel	□
K	Cast Iron	■
N	Copper	■
S	Titanium	□
Hardened Steel	HRC 48-55	□
	HRC 56-60	
	HRC > 60	

**DIN**  
333 A
**FORM**  
A
↻ **RH**

**MG**  
0.6µm



Tolerance - Din Standard

**D**

Series

**DRILL**

■ Available ex stock / subject to prior sale