

Burnstar 8 x D

Solid Carbide Burnishing Drills with Internal Coolant



Article No.	Dimension (mm)					
	2 Flute	Ø d1 m7	Ø d2 h6	L2	L1	AT-coated
BS-D8-2050		5,0	6,0	60	95	■
BS-D8-2055		5,5	6,0	60	95	■
BS-D8-2060		6,0	6,0	60	95	■
BS-D8-2065		6,5	8,0	74	114	■
BS-D8-2070		7,0	8,0	74	114	■
BS-D8-2075		7,5	8,0	74	114	■
BS-D8-2080		8,0	8,0	74	114	■
BS-D8-2085		8,5	10,0	90	140	■
BS-D8-2090		9,0	10,0	90	140	■
BS-D8-2095		9,5	10,0	90	140	■
BS-D8-2100		10,0	10,0	90	140	■
BS-D8-2105		10,5	12,0	110	160	■
BS-D8-2110		11,0	12,0	110	160	■
BS-D8-2115		11,5	12,0	110	160	■
BS-D8-2120		12,0	12,0	110	160	■
BS-D8-2125		12,5	14,0	124	174	■
BS-D8-2130		13,0	14,0	124	174	■
BS-D8-2135		13,5	14,0	124	174	■
BS-D8-2140		14,0	14,0	124	174	■
BS-D8-2145		14,5	16,0	140	195	■
BS-D8-2150		15,0	16,0	140	195	■
BS-D8-2155		15,5	16,0	140	195	■
BS-D8-2160		16,0	16,0	140	195	■
BS-D8-2165		16,5	18,0	156	210	■
BS-D8-2170		17,0	18,0	156	210	■
BS-D8-2175		17,5	18,0	156	210	■
BS-D8-2180		18,0	18,0	156	210	■
BS-D8-2190		19,0	20,0	175	230	■
BS-D8-2200		20,0	20,0	175	230	■

■ Available ex stock / subject to prior sale

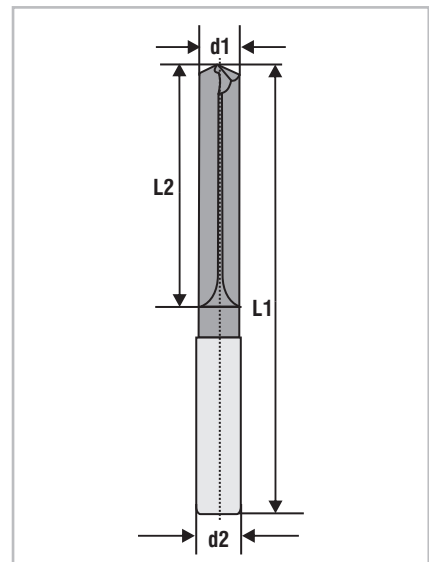
Steel	R _m < 850	■
	R _m 850-1300	■
	R _m 1300-1500	■
M	Stainless Steel	□
K	Cast Iron	■
N	Copper	□
S	Titanium	□
Hardened Steel	HRC 48-55	■
	HRC 56-60	□

D
Series

DIN 6537 K
AT COATING

140°
8 x D
SMG 0.4µm

λ 0° NUT



Tolerance - m7

Diameter	Range
3.00 - 6.00	+0.004 / +0.016
6.00 - 10.00	+0.006 / +0.021
10.00 - 18.00	+0.007 / +0.025
18.00 - 30.00	+0.008 / +0.029

DRILL