

Burnstar 5 x D

Solid Carbide High Performance Burnishing Drill



Article No.	Dimension (mm)					AT-coated
	2 Flute	Ø d1 m7	Ø d2 h6	L2	L1	
BS-D5-2040		4.0	6.0	36	74	■
BS-D5-2041		4.1	6.0	36	74	■
BS-D5-2042		4.2	6.0	36	74	■
BS-D5-2043		4.3	6.0	36	74	■
BS-D5-2044		4.4	6.0	36	74	■
BS-D5-2045		4.5	6.0	36	74	■
BS-D5-2046		4.6	6.0	36	74	■
BS-D5-2047		4.7	6.0	44	82	■
BS-D5-2048		4.8	6.0	44	82	■
BS-D5-2049		4.9	6.0	44	82	■
BS-D5-2050		5.0	6.0	44	82	■
BS-D5-2051		5.1	6.0	44	82	■
BS-D5-2052		5.2	6.0	44	82	■
BS-D5-2053		5.3	6.0	44	82	■
BS-D5-2054		5.4	6.0	44	82	■
BS-D5-2055		5.5	6.0	44	82	■
BS-D5-2056		5.6	6.0	44	82	■
BS-D5-2057		5.7	6.0	44	82	■
BS-D5-2058		5.8	6.0	44	82	■
BS-D5-2059		5.9	6.0	44	82	■
BS-D5-2060		6.0	6.0	44	82	■
BS-D5-2061		6.1	8.0	53	91	■
BS-D5-2062		6.2	8.0	53	91	■
BS-D5-2063		6.3	8.0	53	91	■
BS-D5-2064		6.4	8.0	53	91	■
BS-D5-2065		6.5	8.0	53	91	■
BS-D5-2066		6.6	8.0	53	91	■
BS-D5-2067		6.7	8.0	53	91	■
BS-D5-2068		6.8	8.0	53	91	■
BS-D5-2069		6.9	8.0	53	91	■
BS-D5-2070		7.0	8.0	53	91	■
BS-D5-2071		7.1	8.0	53	91	■
BS-D5-2072		7.2	8.0	53	91	■
BS-D5-2073		7.3	8.0	53	91	■
BS-D5-2074		7.4	8.0	53	91	■
BS-D5-2075		7.5	8.0	53	91	■
BS-D5-2076		7.6	8.0	53	91	■
BS-D5-2077		7.7	8.0	53	91	■
BS-D5-2078		7.8	8.0	53	91	■
BS-D5-2079		7.9	8.0	53	91	■
BS-D5-2080		8.0	8.0	53	91	■
BS-D5-2081		8.1	10.0	61	103	■
BS-D5-2082		8.2	10.0	61	103	■
BS-D5-2083		8.3	10.0	61	103	■


■ Available ex stock / subject to prior sale

Steel	R _m < 850	■
	R _m 850-1300	■
	R _m 1300-1500	■
M	Stainless Steel	□
K	Cast Iron	■
N	Copper	□
S	Titanium	□
Hardened Steel	HRC 48-55	■
	HRC 56-60	□

D
Series


DIN 6537 K

AT COATING

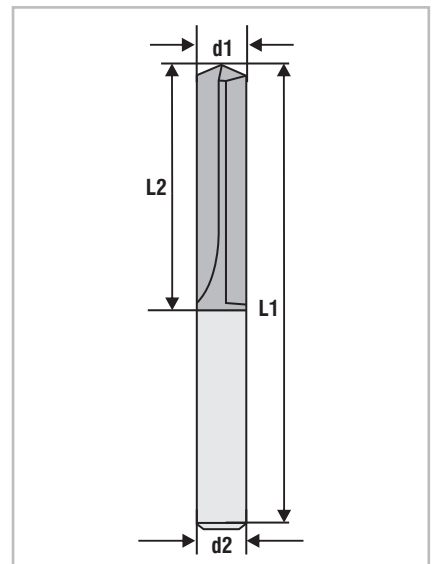
 140°

5 x D

SMG 0.4µm

 DIN 6535-HA

λ 0° NUT



DRILL

Tolerance - m7	
Diameter	Range
3.00 - 6.00	+0.004 / +0.016
6.00 - 10.00	+0.006 / +0.021
10.00 - 18.00	+0.007 / +0.025
18.00 - 30.00	+0.008 / +0.029