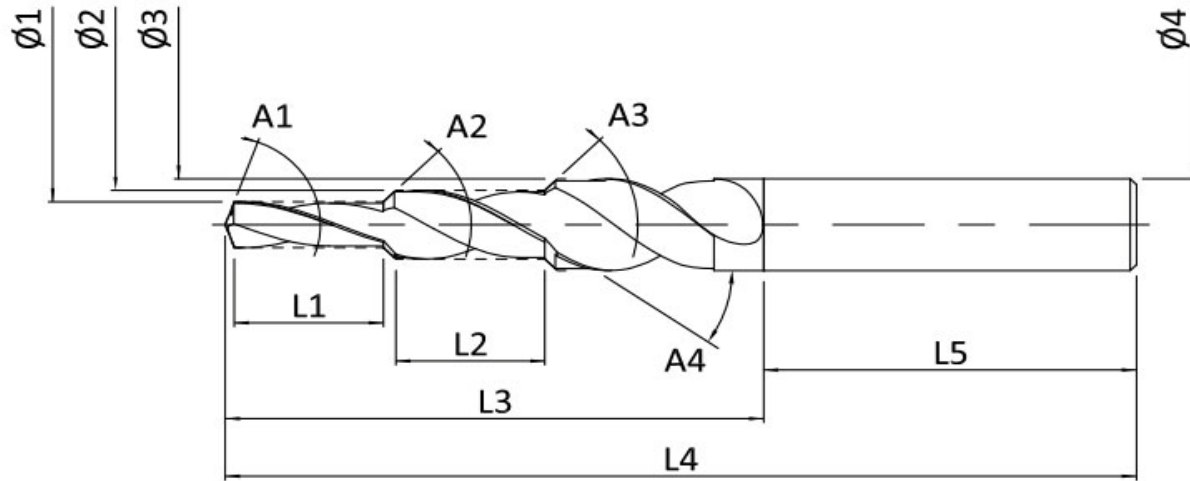




# 2 FLUTE STEP DRILL

E-mail: info@stntools.tw



TOOL CODE NUMBER

Drill Dia	Drill Dia	Drill Dia	Shank Dia.	Pilot Lgth	Pilot Lgth	Pilot Lgth	OAL
Ø1	Ø2	Ø3		L1	L2	L3	L4
	<b>Point Angle</b>	<b>Chmf Angle</b>	<b>Chmf Angle</b>				
	A1	A2	A3				

<u>Material machined:</u>	
_____	
_____	
_____	
<u>Special Notes:</u>	
_____	
_____	
_____	
<u>Carbide Grade:</u> _____	
<u>Pilot:</u>	
cutting <input type="checkbox"/>	non-cutting <input type="checkbox"/>
<u>Coolant Through</u>	
yes <input type="checkbox"/>	No <input type="checkbox"/>
<u>Coating</u>	
yes <input type="checkbox"/>	No <input type="checkbox"/>
<u>Type:</u> _____	
<u>Margins</u>	
<input type="checkbox"/>	single margin
<input type="checkbox"/>	double margin