

# ANTI VIBRATION MILLING ARBOR (減震口刀桿)

Anti-Vibration Arbor (Damped Arbor)

## 即使在長懸伸時也能進行穩定加工

Reduces chattering vibrations to provide high-efficiency machining!

Enables stable machining even at long overhang!

Damping effect increases productivity!



**FMH**

FMH Anti-vibration Milling Arbor Series

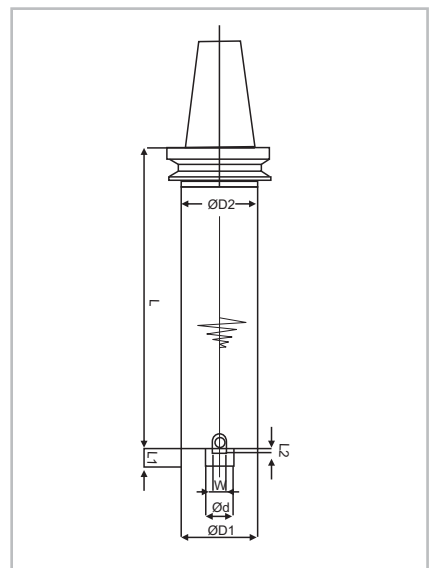
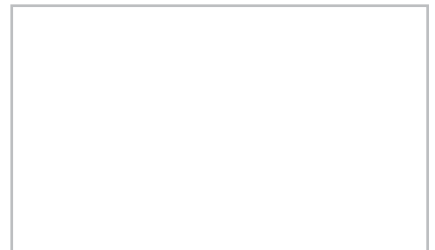


**FEATURES**

1. This product use hollow arbor and dynamic damper to absorb radial and axial vibration.
2. Suitable for every generic milling Gutter on market.
3. Compare to other milling arbors, this product can use in higher cutting feed rate and get better surface accuracy.

Use in Metric system			Dimension (mm)					Weight kg
Type	Ø D2 mm	Ø D1 mm	L mm	Ø d mm	L1 mm	W mm	L2 mm	
BT50-FMH22-300-D48	48	48	300	22	18	10	4.3	6.58
BT50-FMH22-350-D48			350					7.25
BT50-FMH22-400-D48			400					7.92
BT50-FMH22-300-D58	61	58	300	27	20	12	5.8	7.46
BT50-FMH22-400-D58			400					9.20
BT50-FMH22-500-D58			500					10.94
BT50-FMH27-300-D58	61	58	300	27	20	12	5.8	7.56
BT50-FMH27-400-D58			400					9.30
BT50-FMH27-500-D58			500					11.03
BT50-FMH27-300-D78	85	78	300	32	21	14	6.8	8.74
BT50-FMH27-400-D78			400					11.03
BT50-FMH27-500-D78			500					13.33
BT50-FMH27-600-D78	85	78	600	32	21	14	6.8	15.60
BT50-FMH32-300-D78			300					8.90
BT50-FMH32-400-D78			400					11.20
BT50-FMH32-500-D78	85	78	500	32	21	14	6.8	13.50
BT50-FMH32-600-D78			600					15.80

Use in Inch System			Dimension (mm)					Weight kg
Type	Ø D2 mm	Ø D1 mm	L mm	Ø d mm	L1 mm	W mm	L2 mm	
BT50-FMH25.4-300-D58	61	58	300	25.4	19	9.5	4.3	7.62
BT50-FMH25.4-400-D58			400					9.24
BT50-FMH25.4-500-D58			500					10.86
BT50-FMH25.4-300-D78	85	78	300	31.75	21	12.7	6.8	8.71
BT50-FMH25.4-400-D78			400					11.01
BT50-FMH25.4-500-D78			500					13.31
BT50-FMH25.4-600-D78	85	78	600	31.75	21	12.7	6.8	15.61
BT50-FMH31.75-300-D78			300					8.88
BT50-FMH31.75-400-D78			400					11.18
BT50-FMH31.75-500-D78	85	78	500	31.75	21	12.7	6.8	13.48
BT50-FMH31.75-600-D78			600					15.78



Available ex stock / subject to prior sale  
\*Above specifications are excluding the milling cutter